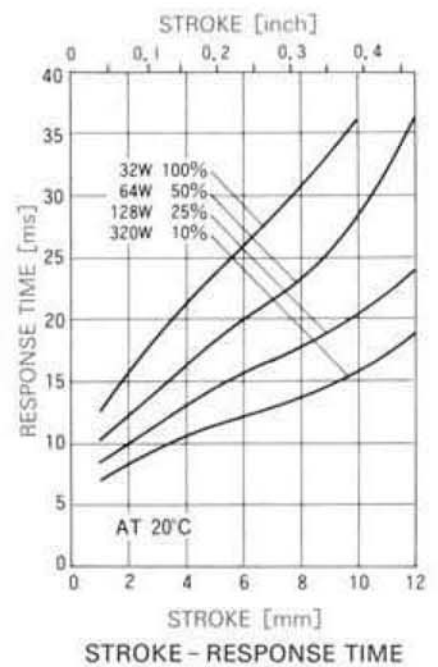
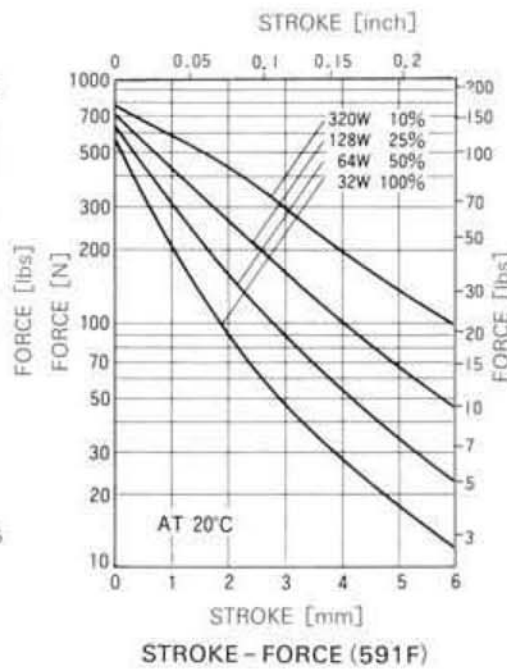
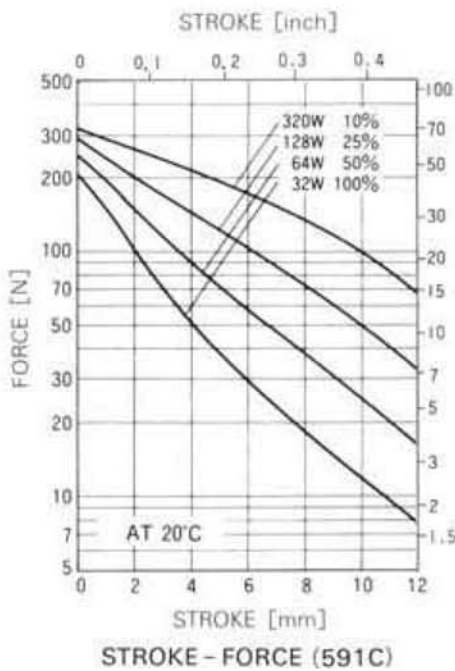
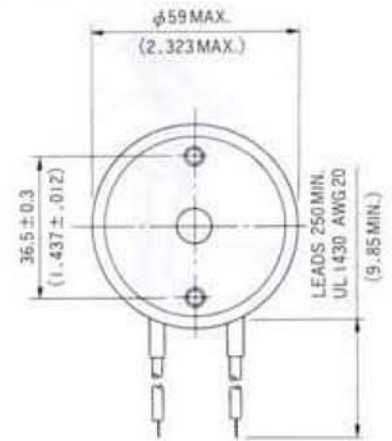
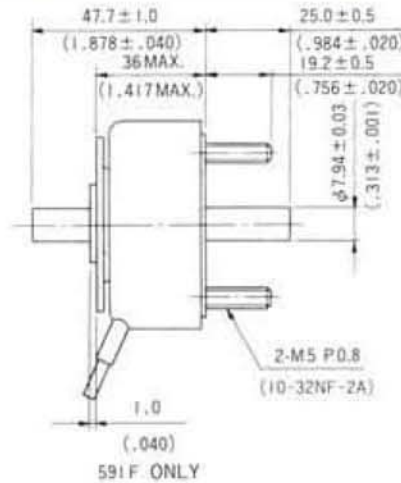


SIZE591C, 591F PUSH PULL SOLENOID

UNIT : $\frac{\text{mm}}{\text{inch}}$
SHOWN ENERGIZED



WEIGHT : 620g
PLUNGER (C) : 145g
PLUNGER (F) : 140g



COIL DATA

Heat sink : 310×310×3mm aluminum

duty cycle = $\frac{\text{"on" time}}{\text{"on" time} + \text{"off" time}} \times 100\%$			100% continuous	50% or less	25% or less	10% or less
MAX. "on" time in seconds			∞	87	36	13
watts at 20°C			32	64	128	320
ampere-turns at 20°C			1480	2080	2940	4620
AWG no.	resistance Ω ± 10% (at 20°C)	no. turns	volts DC			
20	1.23	295	6.2	8.7	12.3	19.3
21	1.75	340	7.6	10.7	15.1	24
22	2.79	446	9.3	13	18.4	29
23	4.54	567	11.9	16.7	24	37
24	6.93	690	14.9	21	30	46
25	12.5	910	20.0	29	40	63
26	18.4	1120	24	34	48	76
27	33.4	1500	33	46	65	103
28	46.3	1750	39	55	78	122
29	74.5	2232	49	69	98	154
30	125.5	2940	63	89	126	197
31	199	3611	82	115	162	255
32	302	4350	103	144	204	321
33	417	5010	123	173	245	385