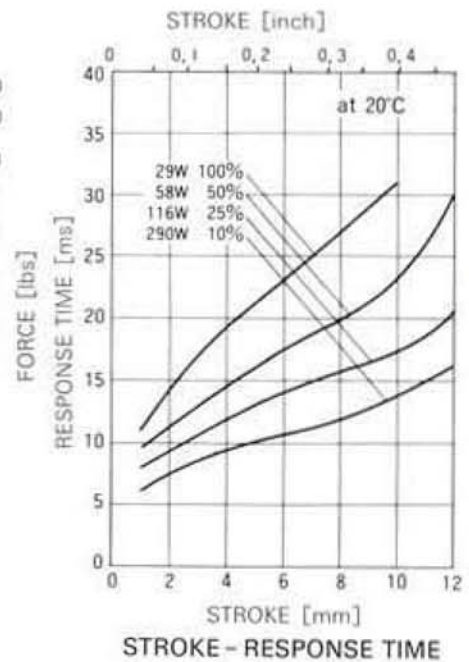
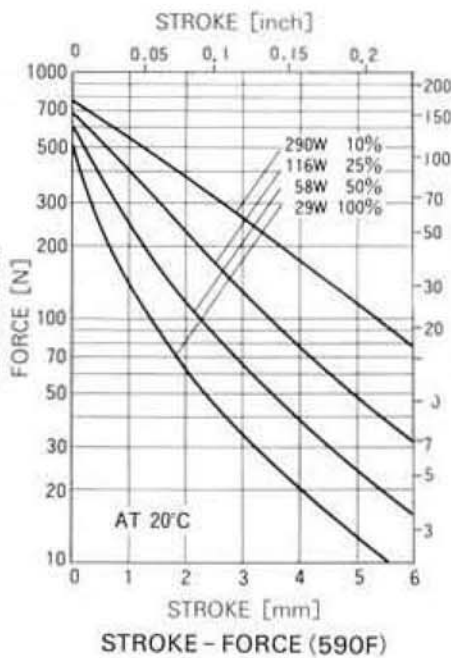
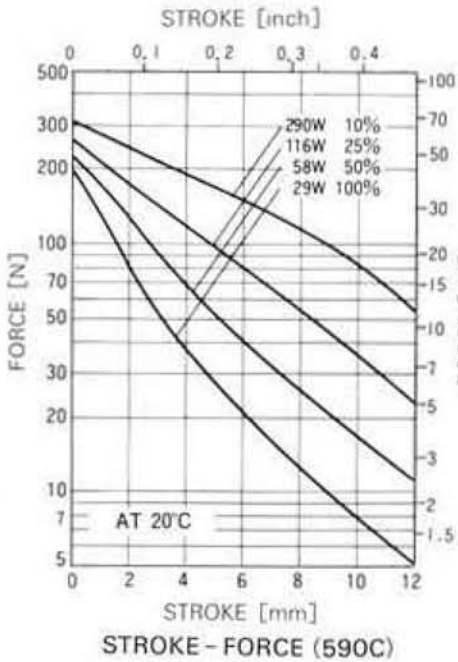
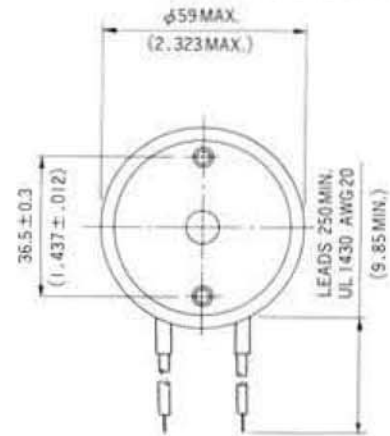
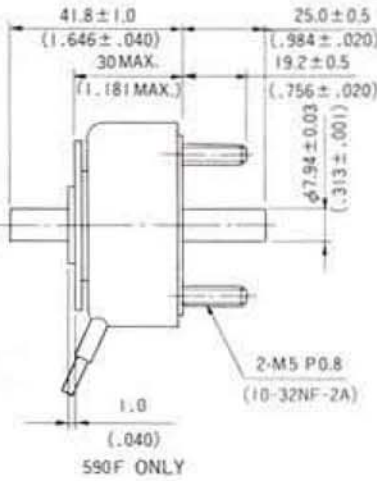


# SIZE590C, 590F PUSH PULL SOLENOID

UNIT :  $\frac{\text{mm}}{\text{inch}}$   
SHOWN ENERGIZED



WEIGHT : 506g  
PLUNGER (C) : 120g  
PLUNGER (F) : 95g



## COIL DATA

Heat sink : 310×310×3mm aluminum

duty cycle = $\frac{\text{"on" time}}{\text{"on" time} + \text{"off" time}} \times 100\%$			100% continuous	50% or less	25% or less	10% or less
MAX. "on" time in seconds			∞	87	36	13
watts at 20°C			29	58	116	290
ampere-turns at 20°C			1240	1760	2490	3920
AWG no.	resistance $\Omega \pm 10\%$ (at 20°C)	no. turns	volts DC			
22	2.23	336	8.3	12	16	26
23	3.6	432	10	15	21	33
24	5.24	500	13	18	26	41
25	9.51	708	16	23	33	52
26	14.4	858	21	29	41	66
27	23.7	1110	26	37	52	83
28	38.2	1411	33	47	66	104
29	54.7	1638	41	59	83	131
30	93.7	2184	52	74	104	165
31	143	2645	66	93	131	207
32	223	3328	83	117	165	261
33	338	4004	104	147	208	329
34	550	5088	131	185	262	-
35	790	5860	165	233	330	-
36	1233	7260	208	294	-	-