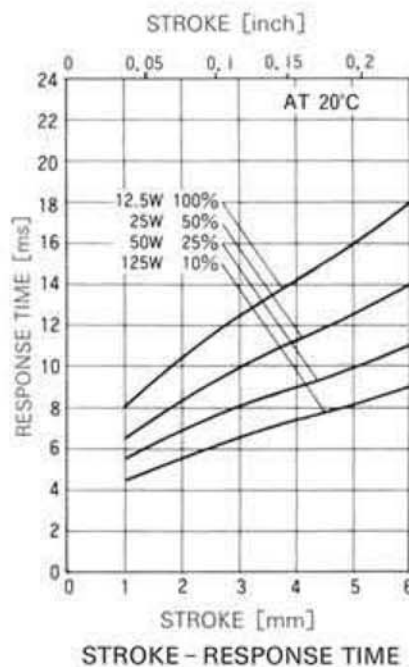
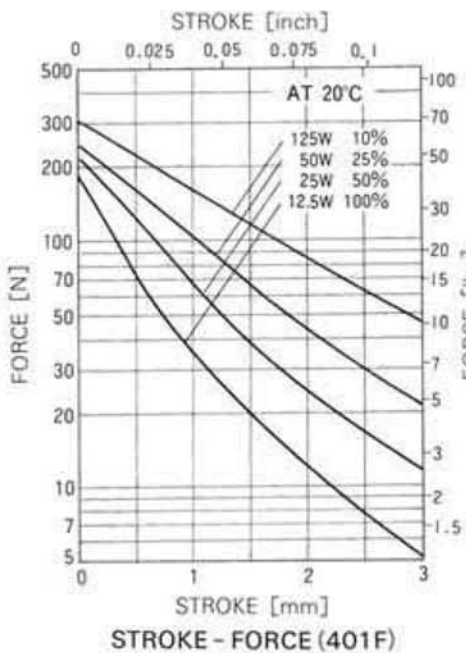
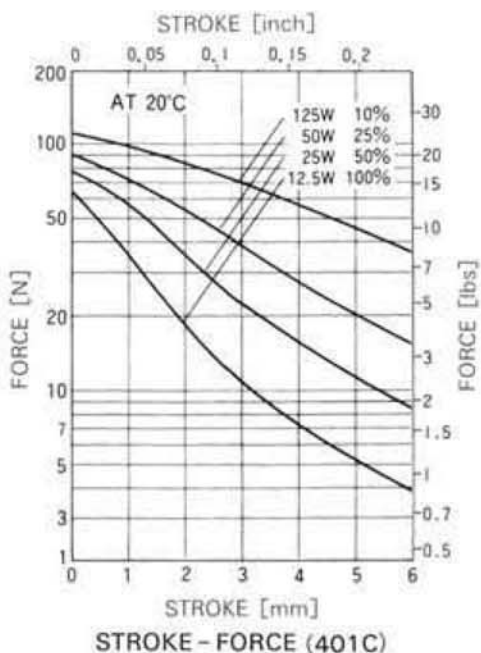
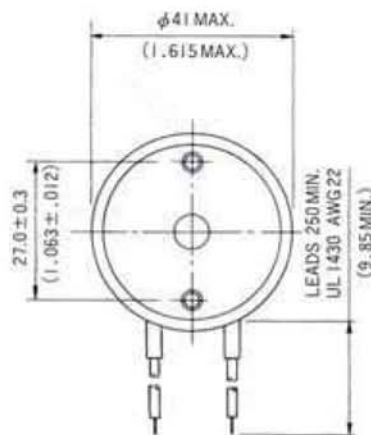
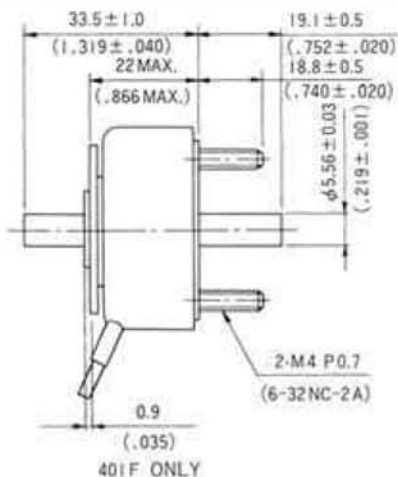


SIZE401C, 401F PUSH PULL SOLENOID

UNIT : $\frac{\text{mm}}{\text{inch}}$
SHOWN ENERGIZED



WEIGHT : 200g
PLUNGER (C) : 60g
PLUNGER (F) : 40g



Shindengen America, Inc.

COIL DATA

Heat sink : 160×160×3mm aluminum

duty cycle = $\frac{\text{"on" time}}{\text{"on" time} + \text{"off" time}} \times 100\%$			100% continuous	50% or less	25% or less	10% or less
MAX. "on" time in seconds			∞	100	36	9
watts at 20°C			12.5	25	50	125
ampere-turns at 20°C			714	1000	1425	2250
AWG no.	resistance $\Omega \pm 10\%$ (at 20°C)	no. turns	volts DC			
25	3.5	384	6.6	9.5	13	21
26	5.67	486	8.4	12	17	27
27	8.76	600	11	16	22	35
28	13.8	748	13	18	26	42
29	22.6	975	17	23	33	52
30	34.8	1190	21	30	42	67
31	56.7	1520	27	38	54	85
32	88.3	1908	35	49	70	110
33	138	2360	43	60	86	138
34	216	2904	53	75	106	168
35	351	3725	67	95	132	213
36	480	4000	85	119	169	268
37	720	4950	105	147	210	332
38	1150	6200	132	185	264	—
39	1920	8350	166	232	332	—
40	3000	10000	210	300	—	—