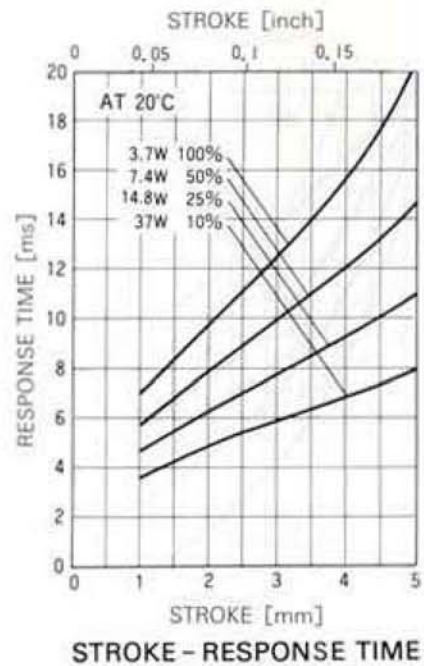
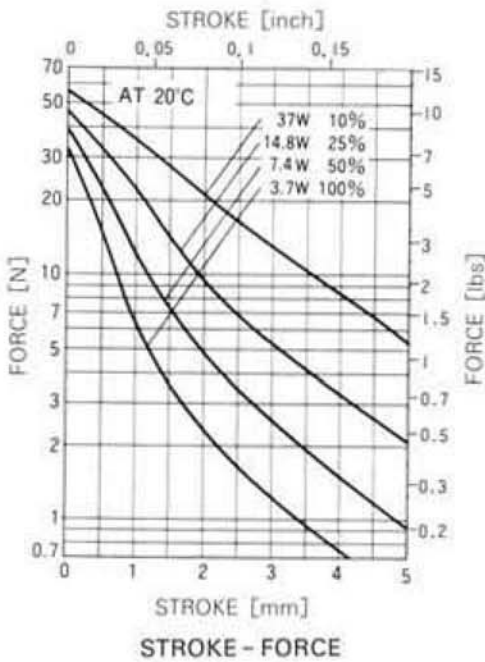
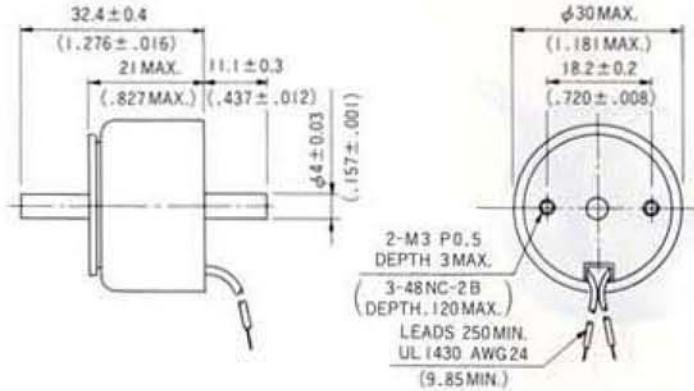


SIZE304C SMALL PUSH PULL SOLENOID

UNIT : $\frac{mm}{(inch)}$
SHOWN ENERGIZED



WEIGHT : 79g
PLUNGER : 15g



COIL DATA

without heat sink

type no.	resistance $\Omega \pm 10\%$ (at 20°C)	no. turns	duty cycle = $\frac{\text{"on" time}}{\text{"on" time} + \text{"off" time}} \times 100\%$				
			100% continuous	50% or less	25% or less	10% or less	
			MAX. "on" time in seconds	∞	100	36	7
			watts at 20°C	3.7	7.4	14.8	37
ampere-turns at 20°C			320	452	640	1012	
			volts DC				
M304C-3V F304C-3V	3.15	320	3	4.2	6	9.5	
M304C-6V F304C-6V	10.7	575	6	8.5	12	19	
M304C-12V F304C-12V	43	1150	12	17	24	38	
M304C-24V F304C-24V	150	2140	24	34	48	76	