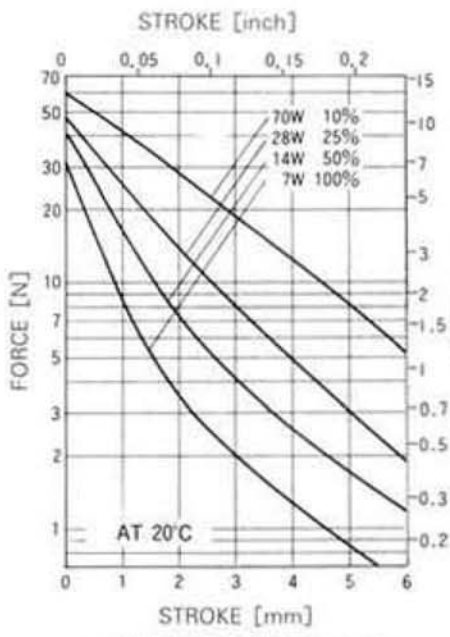
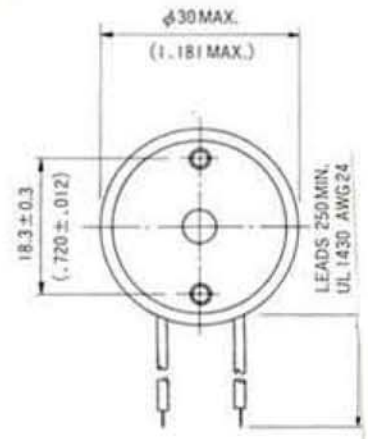
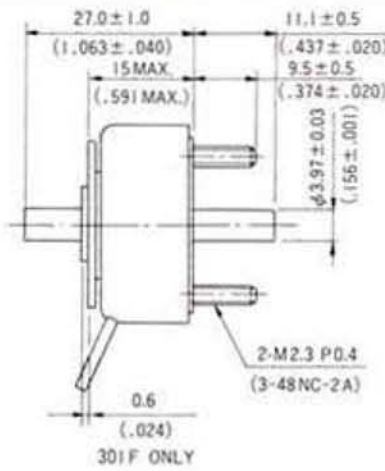


SIZE301C, 301F PUSH PULL SOLENOID

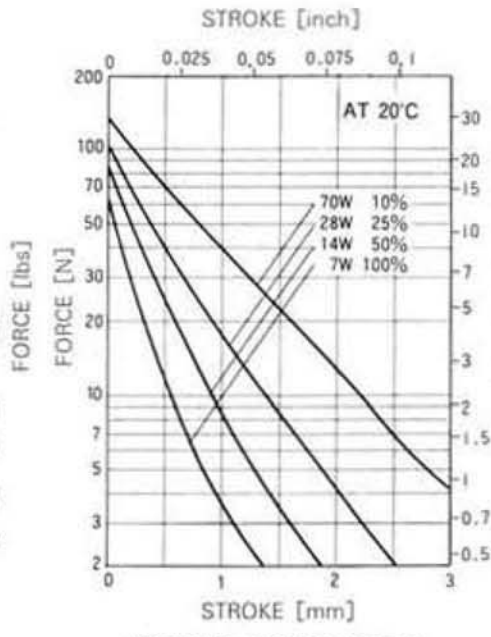
UNIT : $\frac{\text{mm}}{\text{(inch)}}$
SHOWN ENERGIZED



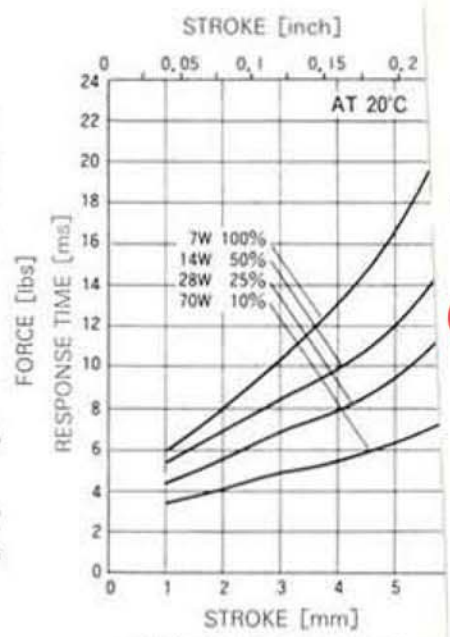
WEIGHT : 56g
PLUNGER (C) : 16g
PLUNGER (F) : 14g



STROKE - FORCE (301C)



STROKE - FORCE (301F)



STROKE - RESPONSE TIME

COIL DATA

Heat sink : 90×90×3mm aluminum

| duty cycle = $\frac{\text{"on" time}}{\text{"on" time} + \text{"off" time}} \times 100\%$ | | 100% continuous | 50% or less | 25% or less | 10% or less |
|---|--|-----------------|-------------|-------------|-------------|
| MAX. "on" time in seconds | | ∞ | 100 | 36 | 7 |
| watts at 20°C | | 7 | 14 | 28 | 70 |
| ampere-turns at 20°C | | 425 | 602 | 849 | 1350 |
| AWG no. | resistance $\Omega \pm 10\%$ (at 20°C) | no. turns | volts DC | | |
| 26 | 1.96 | 231 | 3.5 | 5 | 7.1 |
| 27 | 3.16 | 296 | 4.5 | 6.3 | 8.9 |
| 28 | 5.1 | 378 | 5.6 | 8 | 11 |
| 29 | 6.94 | 423 | 7.1 | 10 | 14 |
| 30 | 11 | 530 | 8.9 | 13 | 18 |
| 31 | 16.9 | 649 | 11 | 16 | 22 |
| 32 | 28.3 | 858 | 14 | 20 | 28 |
| 33 | 42.8 | 1036 | 18 | 25 | 35 |
| 34 | 69.6 | 1312 | 22 | 32 | 45 |
| 35 | 112 | 1674 | 28 | 39 | 56 |
| 36 | 148 | 1765 | 35 | 50 | 71 |
| 37 | 221 | 2090 | 45 | 63 | 89 |
| 38 | 352 | 2650 | 56 | 80 | 112 |
| 39 | 568 | 3380 | 71 | 100 | 141 |
| 40 | 882 | 4200 | 89 | 126 | 178 |

Shindengen America, Inc.