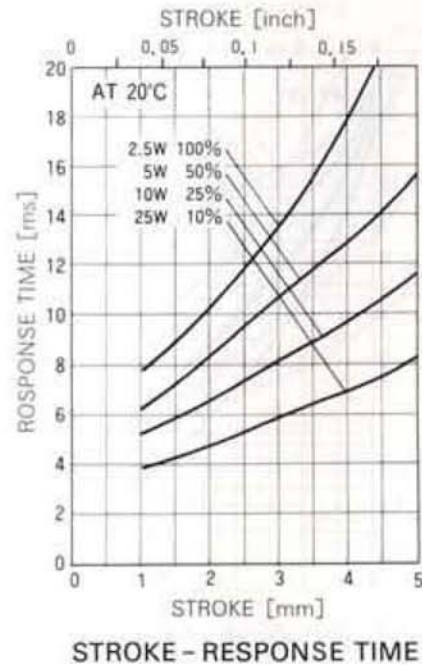
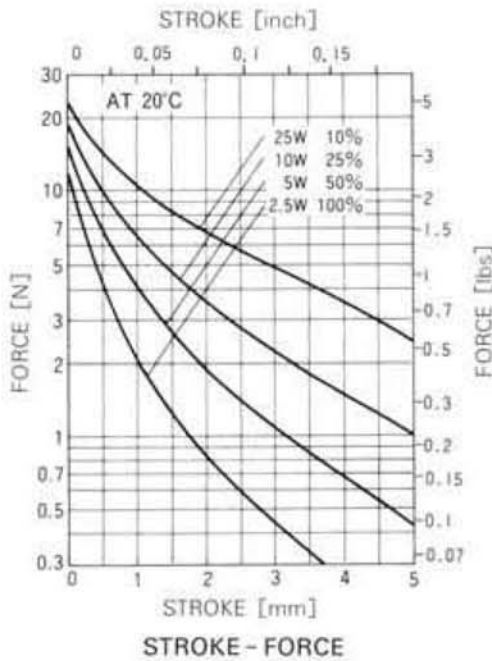
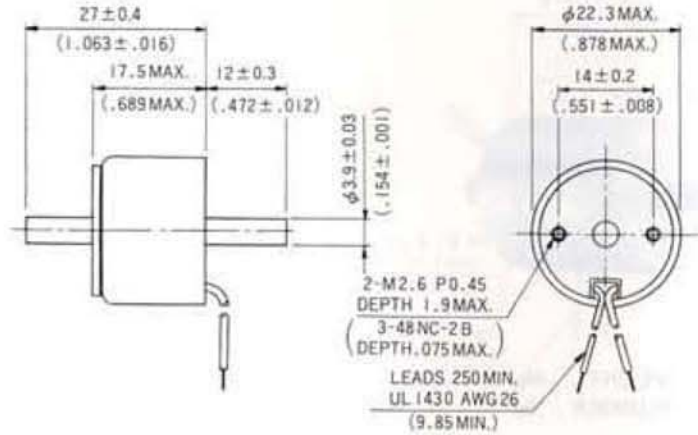


# SIZE221C SMALL PUSH PULL SOLENOID

UNIT :  $\frac{\text{mm}}{\text{(inch)}}$   
SHOWN ENERGIZED



WEIGHT : 39g  
PLUNGER : 9g



## COIL DATA

without heat sink

type no.	resistance $\Omega \pm 10\%$ (at 20°C)	no. turns	duty cycle = $\frac{\text{"on" time}}{\text{"on" time} + \text{"off" time}} \times 100\%$				
			100% continuous	50% or less	25% or less	10% or less	
			MAX. "on" time in seconds	$\infty$	100	36	7
			watts at 20°C	2.5	5	10	25
ampere-turns at 20°C			253	358	507	803	
			volts DC				
M221C-3V F221C-3V	3.8	325	3	4.2	6	9.5	
M221C-6V F221C-6V	13.8	620	6	8.5	12	19	
M221C-12V F221C-12V	59	1260	12	17	24	38	
M221C-24V F221C-24V	226	2200	24	34	48	76	