

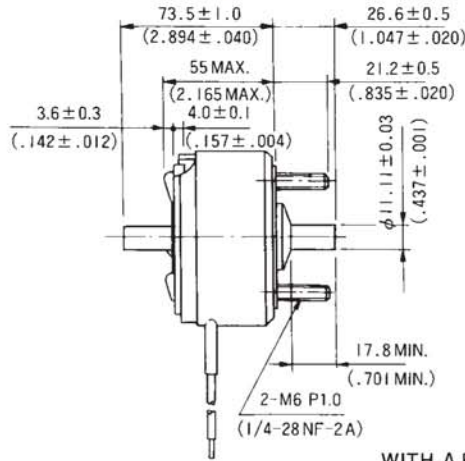
SIZE870 ROTARY SOLENOID

UNIT: $\frac{\text{mm}}{\text{inch}}$

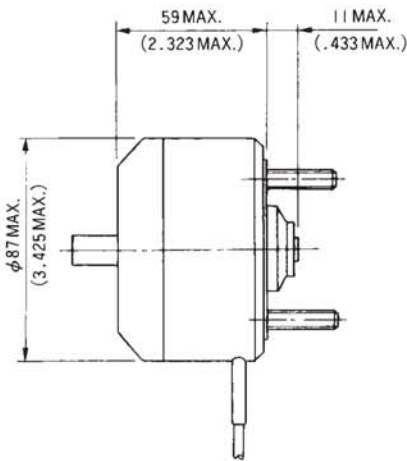
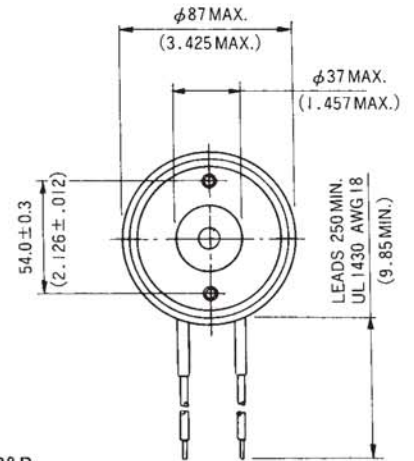
SHOWN DE-ENERGIZED, RIGHT HAND ROTATION



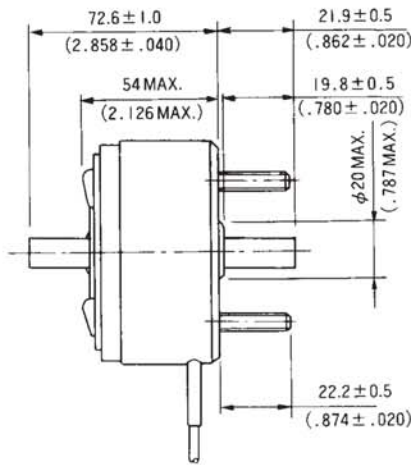
WEIGHT (ABD&R) : 1,885g



WITH A,B&R

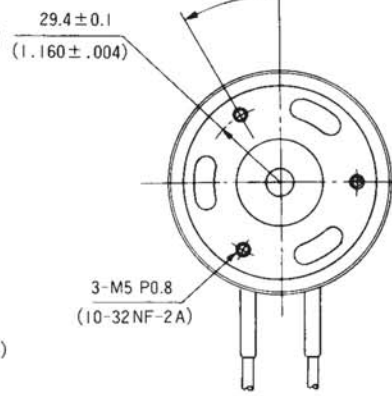


WITH A,D&R



WITH A&B

1/2 ROTATION ANGLE ± 3° TO LEFT OF CENTER FOR R.H. ROTATION, RIGHT OF CENTER FOR L.H. ROTATION.



WITH T

COIL DATA

Heat sink : 520×520×3mm aluminum

Return spring torque : 0.09~0.14 N·m

| duty cycle = $\frac{\text{"on" time}}{\text{"on" time} + \text{"off" time}} \times 100\%$ | | 100% continuous | 75% or less | 50% or less | 25% or less | 10% or less | |
|---|--|-----------------|-------------|-------------|-------------|-------------|------|
| MAX. "on" time in seconds | | ∞ | 85 | 72 | 43 | 20 | |
| watts at 20°C | | 41 | 54.5 | 82 | 164 | 410 | |
| ampere-turns at 20°C | | 1910 | 2190 | 2750 | 3810 | 5950 | |
| gross starting torque at 20°C (N·m) | | 25° | 1.84 | 2.65 | 4.25 | 6.9 | 11.3 |
| | | 35° | 1.38 | 1.84 | 2.76 | 4.5 | 7.35 |
| | | 45° | 1.15 | 1.5 | 2.2 | 3.9 | 6.2 |
| | | 67.5° | 0.48 | 0.69 | 1.15 | 1.95 | 3.34 |
| 95° | 0.4 | 0.48 | 0.7 | 1.15 | 1.95 | 1.95 | |
| AWG no. | resistance $\Omega \pm 10\%$ (at 20°C) | no. turns | volts DC | | | | |
| 18 | 1.47 | 368 | 7.6 | 8.7 | 11 | 15 | 24 |
| 19 | 2.3 | 459 | 9.6 | 11 | 14 | 19 | 30 |
| 20 | 3.64 | 580 | 12 | 14 | 17 | 24 | 37 |
| 21 | 5.57 | 704 | 15 | 17 | 22 | 30 | 47 |
| 22 | 9.5 | 936 | 19 | 22 | 28 | 39 | 60 |
| 23 | 14.3 | 1134 | 24 | 28 | 35 | 48 | 75 |
| 24 | 23.3 | 1456 | 30 | 35 | 44 | 61 | 95 |
| 25 | 37.1 | 1836 | 39 | 44 | 56 | 77 | 120 |
| 26 | 58.6 | 2300 | 49 | 56 | 70 | 97 | 152 |
| 27 | 89.8 | 2816 | 61 | 70 | 88 | 121 | 189 |
| 28 | 139 | 3456 | 76 | 88 | 111 | 153 | 239 |
| 29 | 227 | 4480 | 98 | 111 | 138 | 193 | 300 |
| 30 | 376 | 5792 | 124 | 143 | 177 | 248 | 387 |
| 31 | 515 | 6600 | 148 | 170 | 212 | 297 | — |
| 32 | 785 | 7850 | 188 | 220 | 275 | 385 | — |
| 33 | 1130 | 9050 | 237 | 271 | 339 | — | — |

Exclusive US Dist - Bicon Electronics - 1-800-624-2766