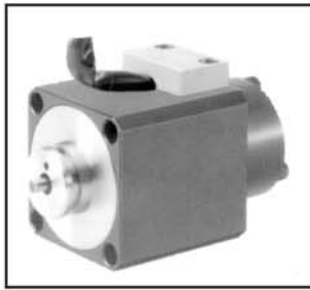


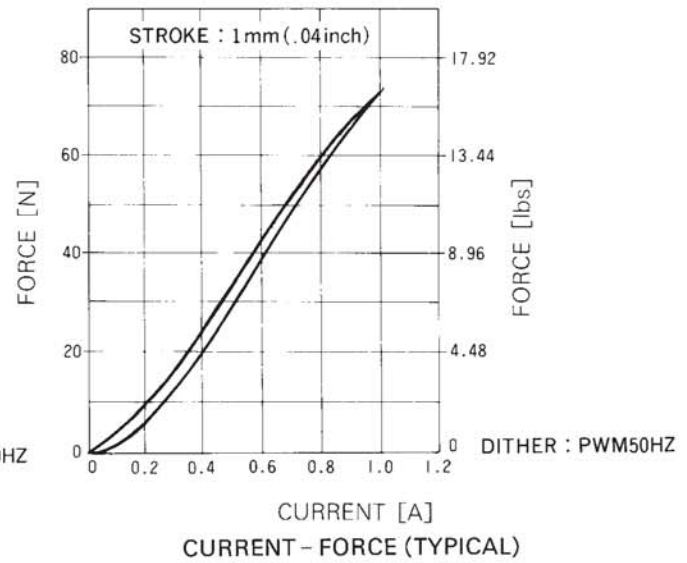
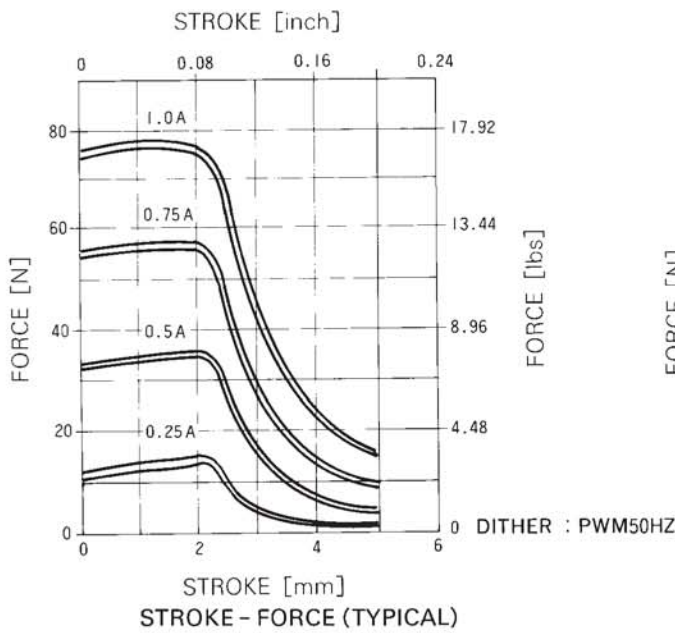
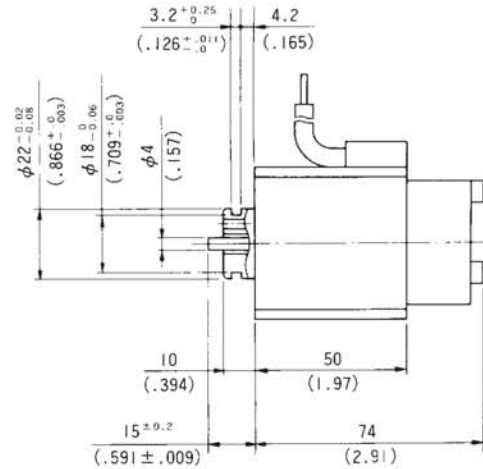
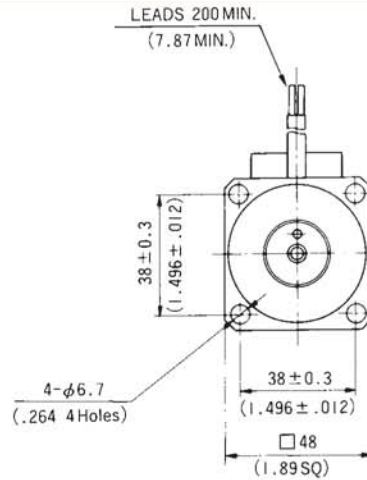
PS48SX-0207 PROPORTIONAL SOLENOID

UNIT: $\frac{\text{mm}}{\text{inch}}$

SHOWN ENERGIZED



WEIGHT : 900g



SPECIFICATIONS

ITEM	UNIT	TYPE NO. PS48SX-0207-24
Volts DC	V	24
Current	A	MAX. 1.0
Resistance	Ω	12.8 at 20°C
Watts	W	12.8 at 20°C
Force	N//lbs	74.5//16.72 at 1mm(.04in), 1.0A
Control Stroke	mm(inch)	MAX. 2.0//(.078)
Full Stroke	mm(inch)	MIN. 4.0//(.157)
Insulation Class		F(155°C)
Rated Pressure	MPa//PSI	1.03//150
Burst Pressure	MPa//PSI	3.09//450
Dielectric Strength		AC 1000V, 1 minute
Insulation Resistance		More than 100M Ω at DC 500V

Exclusive US Dist - Bicon Electronics - 1-800-624-2766