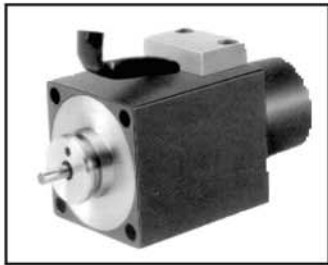
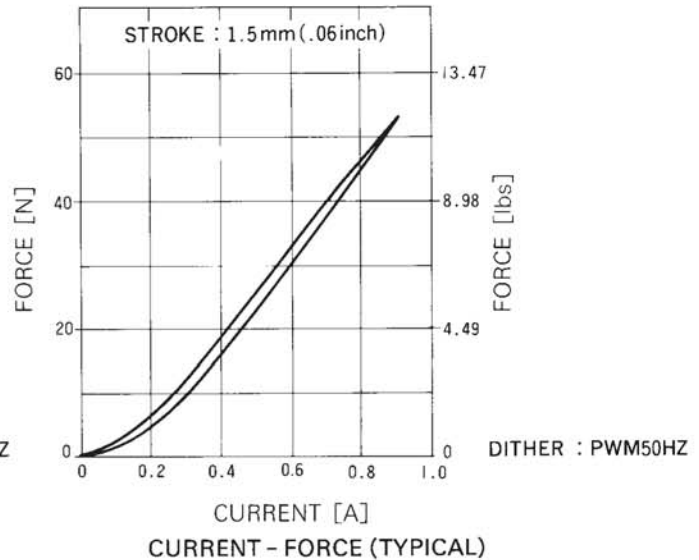
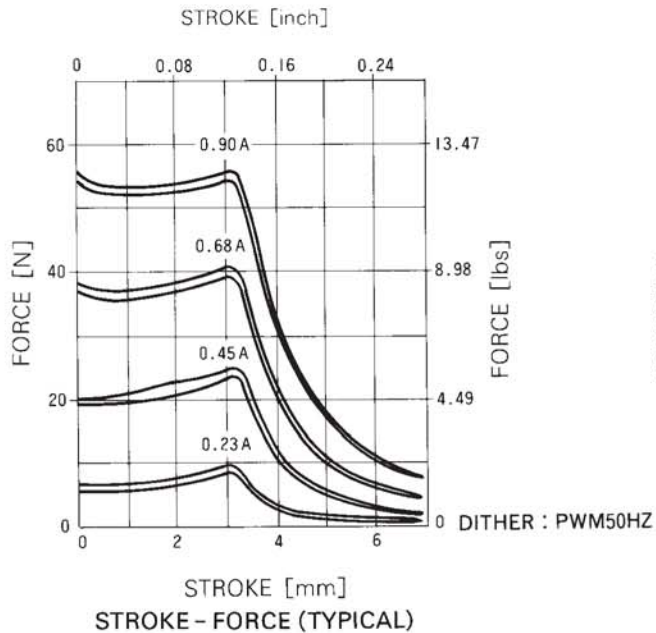
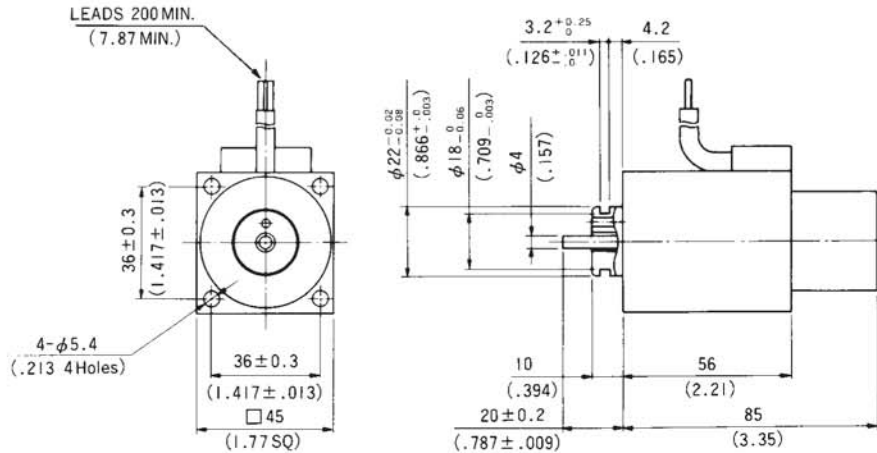


PS45SX-0305 PROPORTIONAL SOLENOID

UNIT: $\frac{\text{mm}}{\text{inch}}$
 SHOWN ENERGIZED



WEIGHT : 860g



SPECIFICATIONS

ITEM	UNIT	TYPE NO. PS45SX-0305-24
Volts DC	V	24
Current	A	MAX. 0.9
Resistance	Ω	14.7 at 20°C
Watts	W	11.8 at 20°C
Force	N//lbs	51//11.44 at 1.5mm (.06in) , 0.9A
Control Stroke	mm (inch)	MAX. 3.0 (.118)
Full Stroke	mm (inch)	MIN. 6.4 (.251)
Insulation Class		F (155°C)
Rated Pressure	MPa//PSI	6.8//1000
Burst Pressure	MPa//PSI	20.6//3000
Dielectric Strength		AC 1000V, 1 minute
Insulation Resistance		More than 100M Ω at DC 500V

Exclusive US Dist - Bicron Electronics - 1-800-624-2766