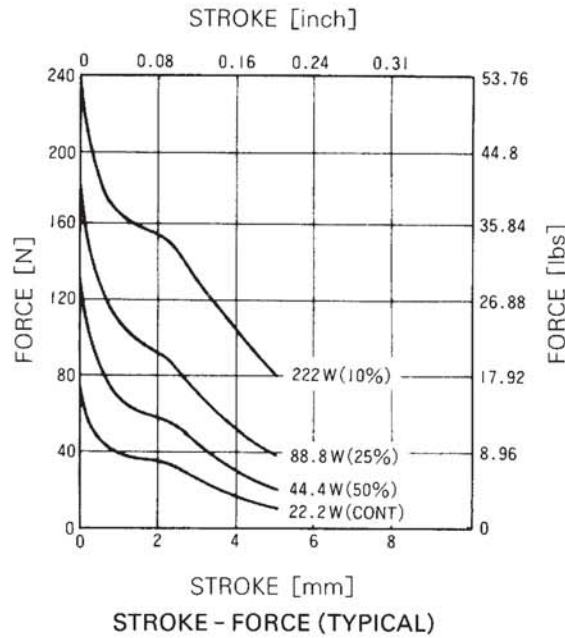
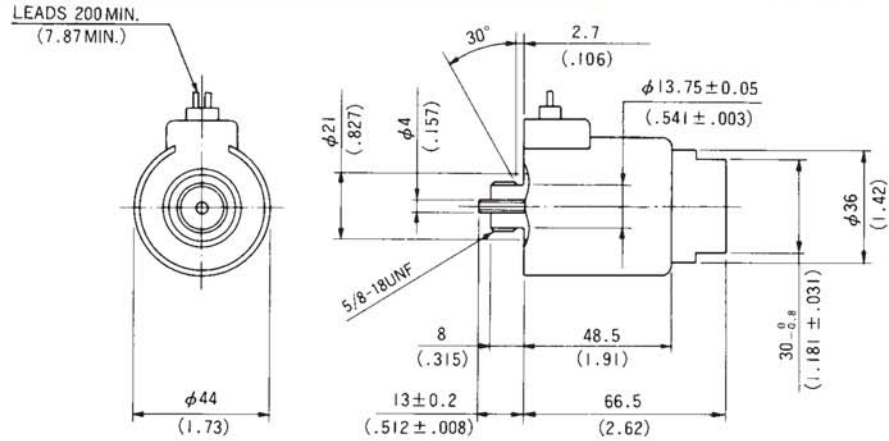


SW4417 CX WET TYPE ON-OFF SOLENOID

UNIT: $\frac{\text{mm}}{\text{inch}}$
 SHOWN ENERGIZED



WEIGHT : 470g



SPECIFICATIONS

ITEM	UNIT	TYPE NO. SW4417CX-24
Volts DC	V	24
Current	A	0.92 at cont. DUTY CYCLE
Resistance	Ω	26 at 20°C
Watts	W	22.2 at 20°C
Force	N//lbs	29.5//6.6 at 2mm (.08in), 0.92A
Full Stroke	mm (inch)	MIN. 4.5 (.177)
Insulation Class		F (155°C)
Rated Pressure	MPa//PSI	6.8//1000
Burst Pressure	MPa//PSI	20.6//3000
Dielectric Strength		AC 1000V, 1 minute
Insulation Resistance		More than 100M Ω at DC 500V

Exclusive US Dist - Bicon Electronics - 1-800-624-2766