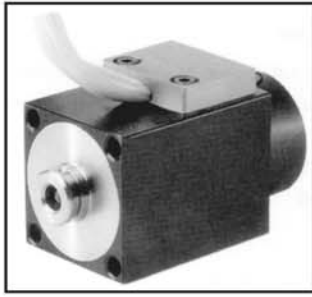


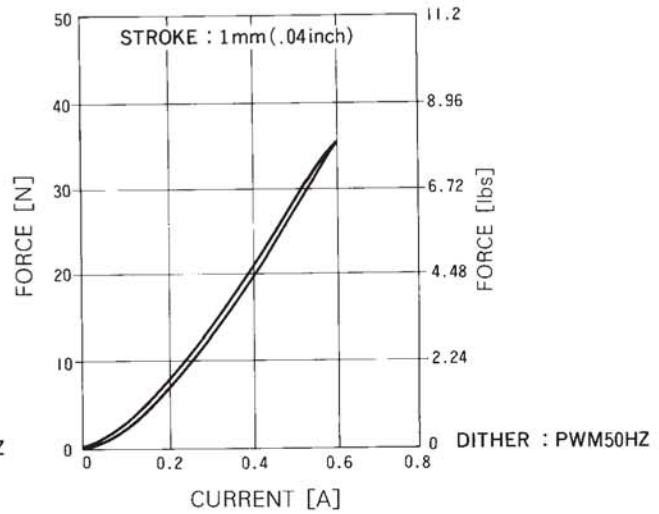
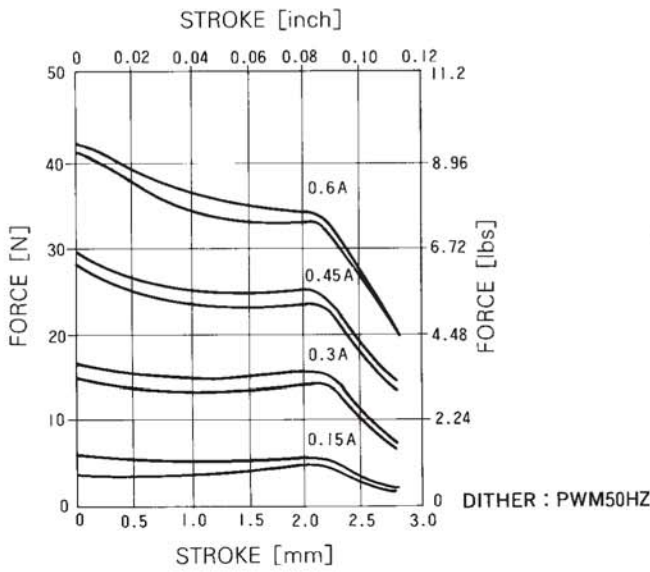
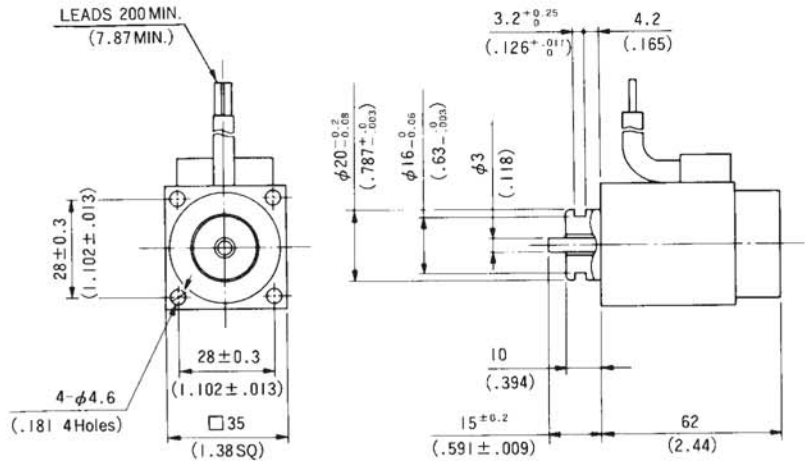
PS35SX-0203 PROPORTIONAL SOLENOID

UNIT: $\frac{\text{mm}}{\text{inch}}$

SHOWN ENERGIZED



WEIGHT : 470g



SPECIFICATIONS

ITEM	UNIT	TYPE NO. PS35SX-0203-24
Volts DC	V	24
Current	A	MAX. 0.6
Resistance	Ω	22 at 20°C
Watts	W	7.9 at 20°C
Force	N//lbs	34.3//7.71 at 1mm(.04in), 0.6A
Control Stroke	mm(inch)	MAX. 2.0(.078)
Full Stroke	mm(inch)	MIN. 2.3(.090)
Insulation Class		F(155°C)
Rated Pressure	MPa//PSI	0.35//50
Burst Pressure	MPa//PSI	1.03//150
Dielectric Strength		AC 1000V, 1 minute
Insulation Resistance		More than 100M Ω at DC 500V

Exclusive US Dist - Bicon Electronics - 1-800-624-2766

Shindengen  America, Inc.