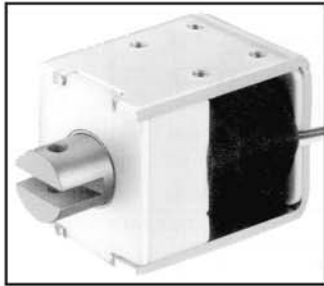


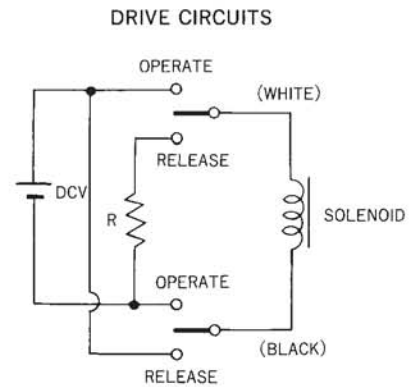
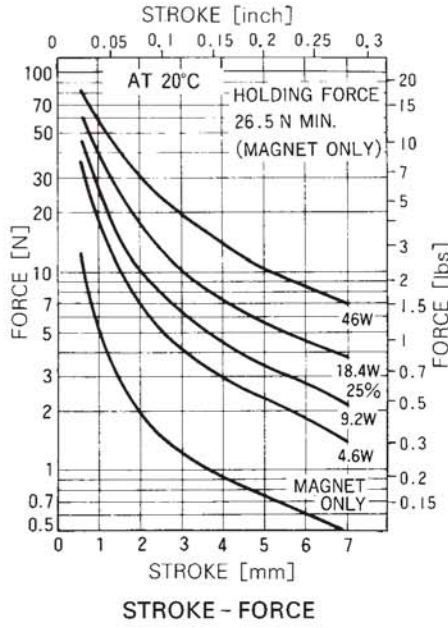
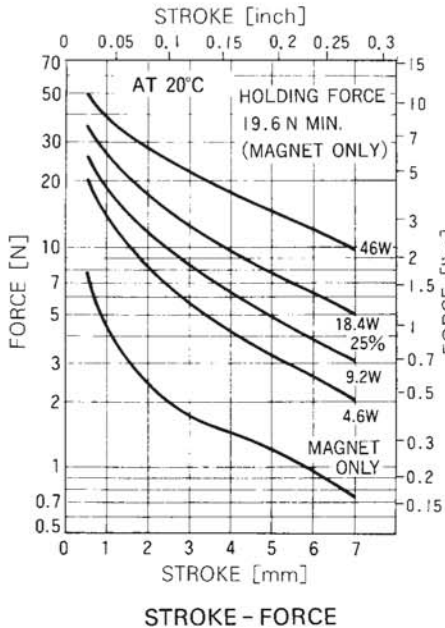
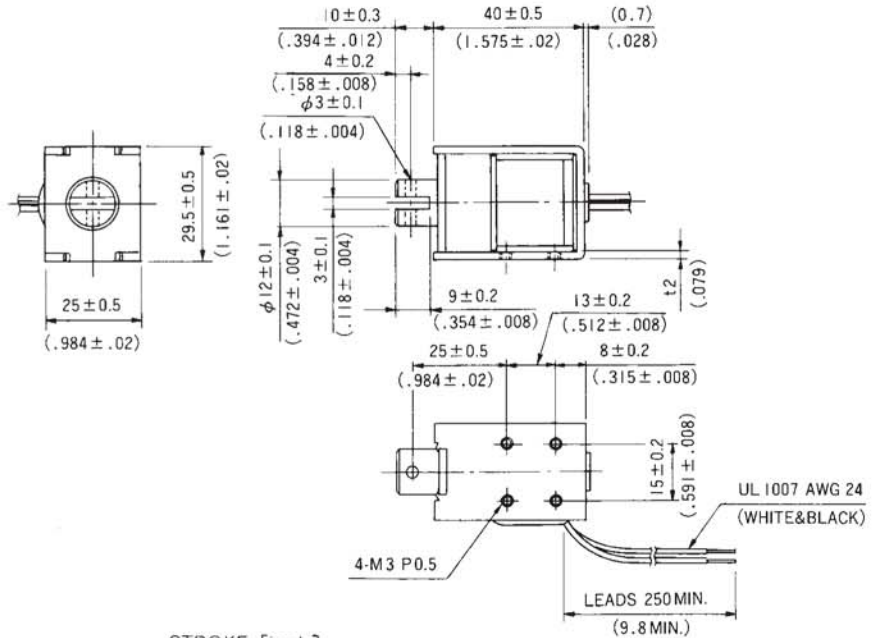
SH1LC1240, SH1L1240 PERMANENT MAGNET SOLENOID

UNIT: $\frac{\text{mm}}{\text{inch}}$

SHOWN ENERGIZED



WEIGHT : 145g
PLUNGER : 34g



COIL DATA

	without heat sink		
	duty cycle = $\frac{\text{"on" time}}{\text{"on" time} + \text{"off" time}} \times 100\%$		10% or less
	maximum "on" time in seconds		1
	watts at 20°C		13
ampere-turns at 20°C		364	
type no.	resistance $\Omega \pm 10\%$ (at 20°C)	no. turns	volts DC
SH2LC0524-06	2.8	166	6
SH2LC0524-12	11.1	345	12
SH2LC0524-24	44.3	670	24

Exclusive US Dist - Bicorn Electronics - 1-800-624-2766

Shindengen  America, Inc.