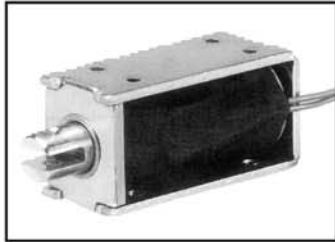
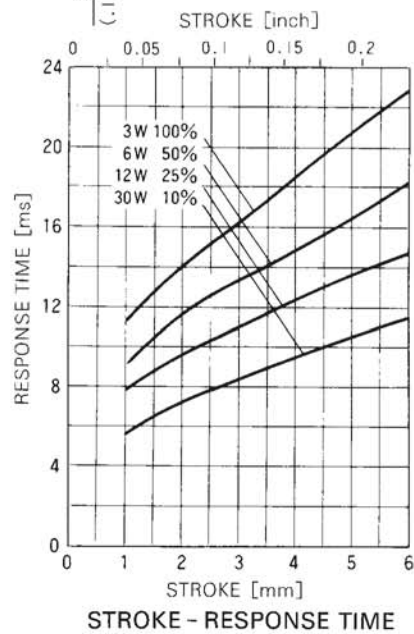
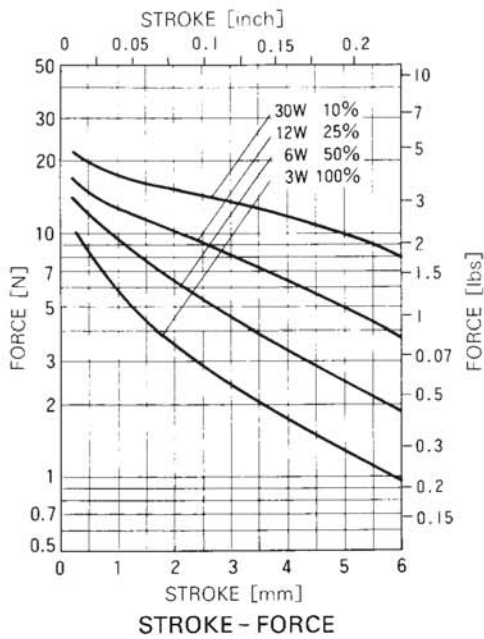
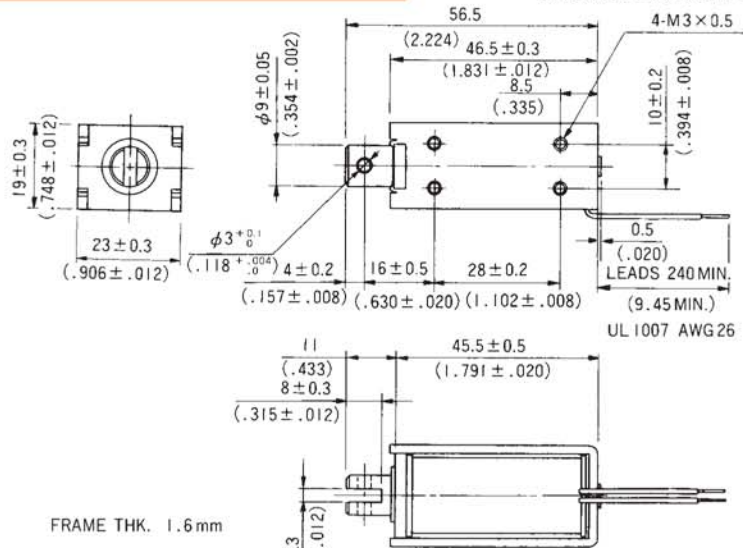


# SK0946A OPEN FRAME SOLENOID

UNIT:  $\frac{\text{mm}}{\text{inch}}$   
SHOWN ENERGIZED



WEIGHT : 96g  
PLUNGER : 20g



## COIL DATA

without heat sink

	duty cycle = $\frac{\text{"on" time}}{\text{"on" time} + \text{"off" time}} \times 100\%$		100% continuous	50% or less	25% or less	10% or less
	MAX. "on" time in seconds		$\infty$	100	36	7
	watts at 20°C		3.0	6.0	12.0	30.0
	ampere-turns at 20°C		585	827	1170	1849
type no.	resistance $\Omega \pm 10\%$ (at 20°C)	no. turns	volts DC			
SK0946A06AA	12	1120	6	8.5	12	19
SK0946A12AA	48	2320	12	17	24	38
SK0946A24AA	192	4680	24	34	48	76
SK0946A48AA	768	9000	48	68	96	152

Exclusive US Dist - Bicron Electronics - 1-800-624-2766