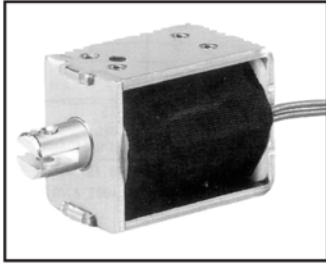
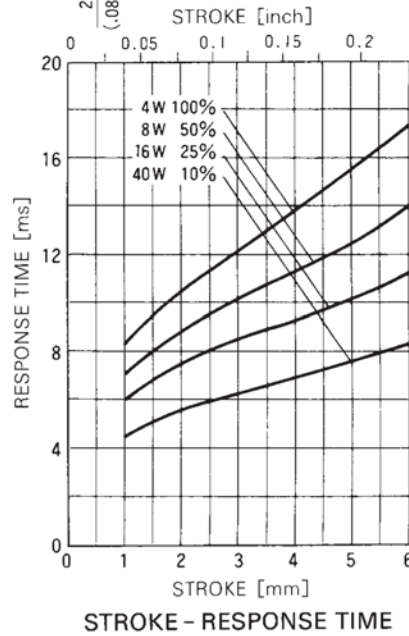
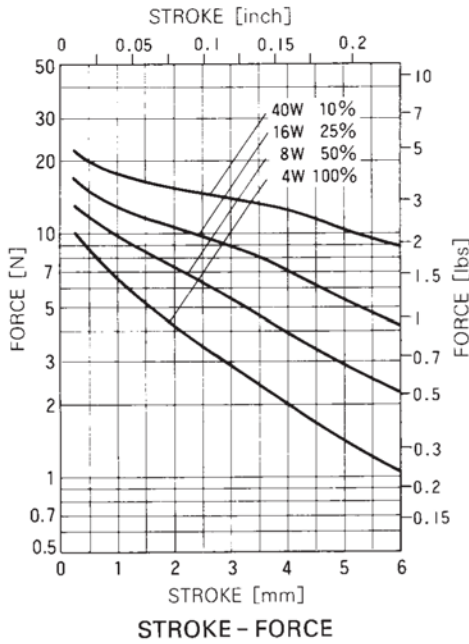
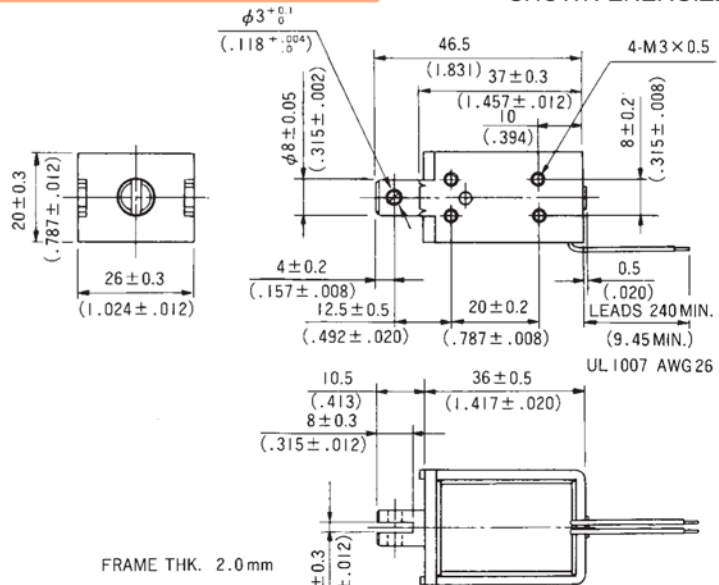


# SK0836W OPEN FRAME SOLENOID

UNIT:  $\frac{\text{mm}}{\text{inch}}$   
 SHOWN ENERGIZED



WEIGHT : 100g  
 PLUNGER : 14g



## COIL DATA

		without heat sink				
		100% continuous	50% or less	25% or less	10% or less	
duty cycle = $\frac{\text{"on" time}}{\text{"on" time} + \text{"off" time}} \times 100\%$						
MAX. "on" time in seconds		$\infty$	100	36	7	
watts at 20°C		4.0	8.0	16.0	40.0	
ampere-turns at 20°C		666	941	1332	2106	
type no.	resistance $\Omega \pm 10\%$ (at 20°C)	no. turns	volts DC			
SK0836W06AA	9	1000	6	8.5	12	19
SK0836W12AA	36	2000	12	17	24	38
SK0836W24AA	144	4000	24	34	48	76
SK0836W48AA	576	7540	48	68	96	152

Exclusive US Dist - Bicorn Electronics - 1-800-624-2766