

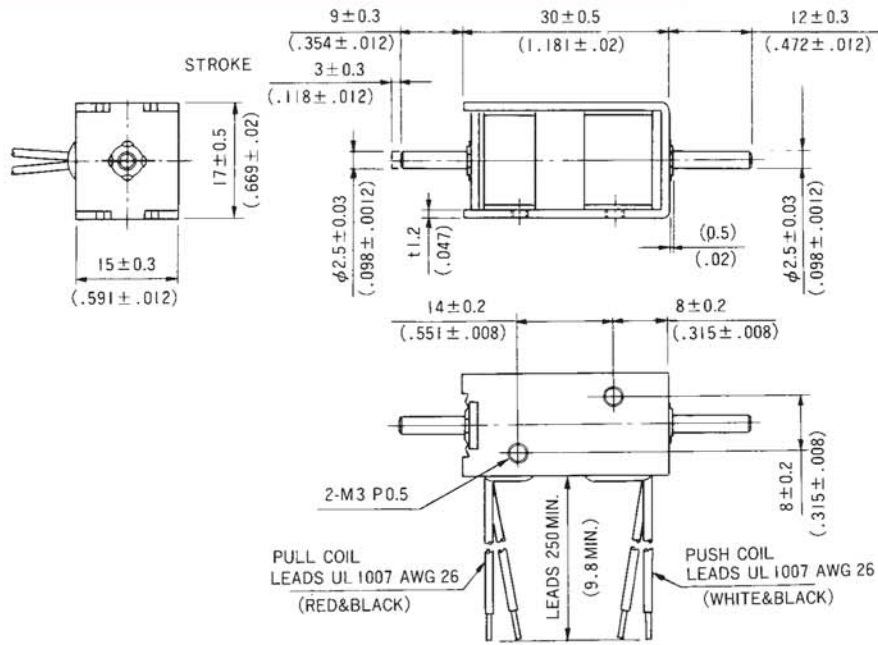
# SH2LC0730 PERMANENT MAGNET SOLENOID

UNIT:  $\frac{\text{mm}}{\text{inch}}$

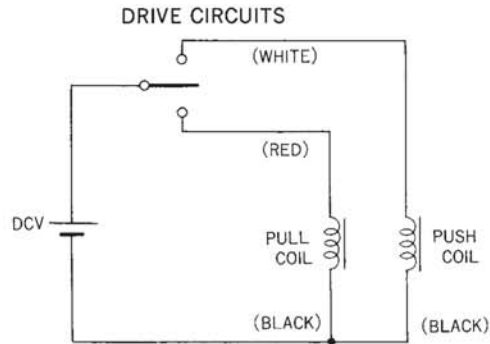
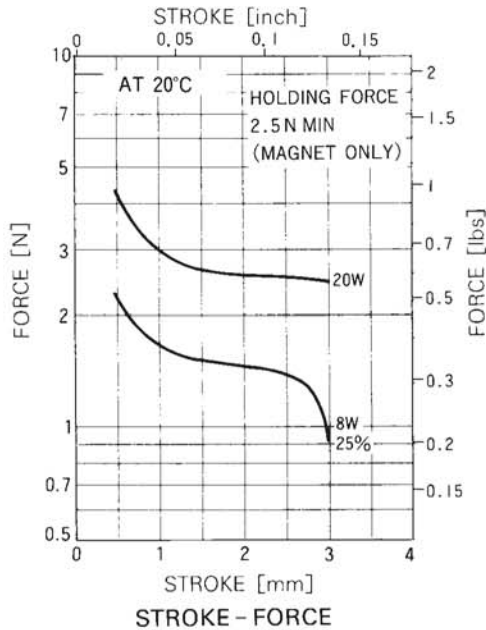
SHOWN ENERGIZED



WEIGHT : 35g  
PLUNGER : 7g



SHOWN ENERGIZED POSITION WHEN A VOLTAGE IS APPLIED TO PUSH COIL.  
STROKE : 3mm ± 0.3



## COIL DATA

without heat sink

	duty cycle = $\frac{\text{"on" time}}{\text{"on" time} + \text{"off" time}} \times 100\%$		25% or less
	maximum "on" time in seconds		2
	watts at 20 C		8
	ampere-turns at 20 C		368
type no.	resistance $\Omega \pm 10\%$ (at 20 C)	no. turns	volts DC
SH2LC0730-06	4.5	285	6
SH2LC0730-12	18	540	12
SH2LC0730-24	72	1,100	24

Exclusive US Dist - Bicon Electronics - 1-800-624-2766