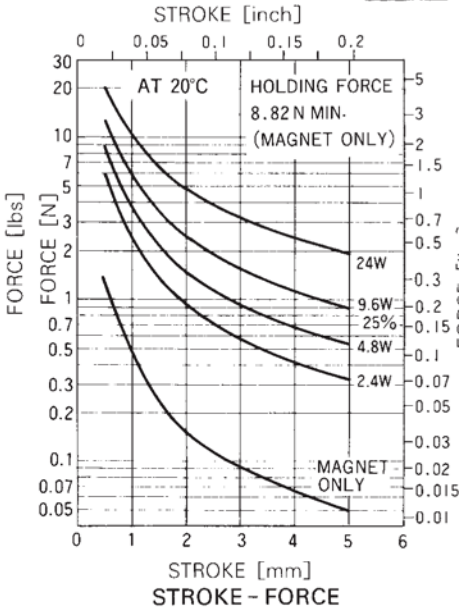
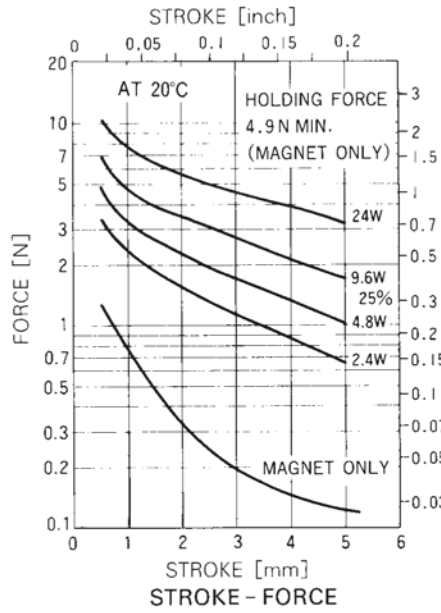
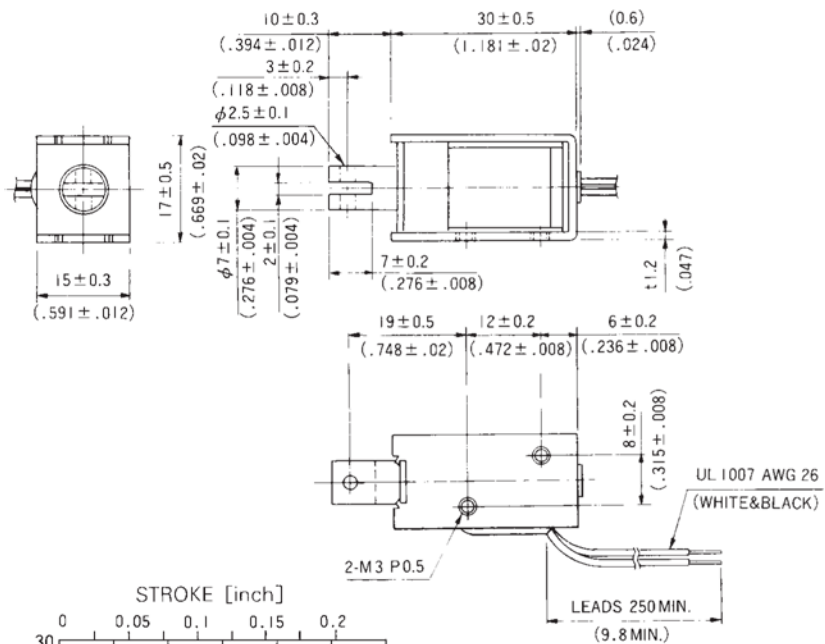


SH1LC0730, SH1LF0730 PERMANENT MAGNET SOLENOID

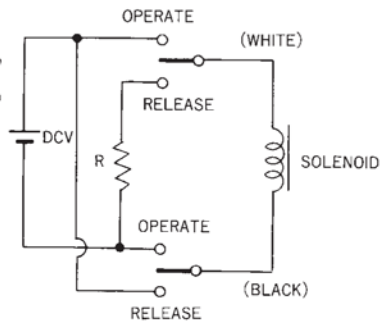
UNIT: $\frac{\text{mm}}{\text{(inch)}}$
 SHOWN ENERGIZED



WEIGHT : 38g
 PLUNGER : 9.2g



DRIVE CIRCUITS



COIL DATA

				without heat sink	
diagonal line	duty cycle = $\frac{\text{"on" time}}{\text{"on" time} + \text{"off" time}} \times 100\%$		25% or less	release current (reference)	
	maximum "on" time in seconds		10		
	watts at 20 C		9.6		
	ampere-turns at 20 C		614		
type no.	resistance $\Omega \pm 10\%$ (at 20 C)	no. turns	volts DC	ampere	
SH1LC0730-06 SH1LF0730-06	3.8	385	6	650mA	
SH1LC0730-12 SH1LF0730-12	15	780	12	320mA	
SH1LC0730-24 SH1LF0730-24	60	1,530	24	160mA	

Exclusive US Dist - Bicron Electronics - 1-800-624-2766

Shindengen  America, Inc.