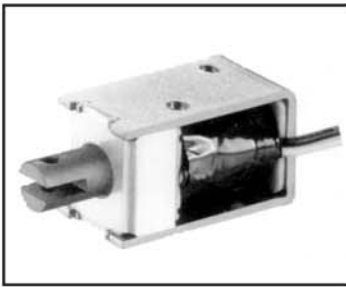


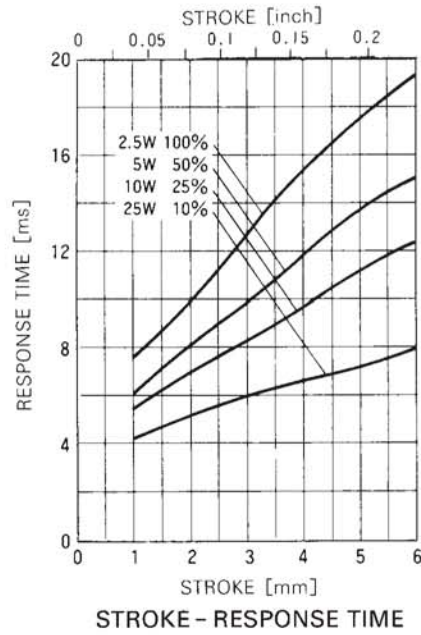
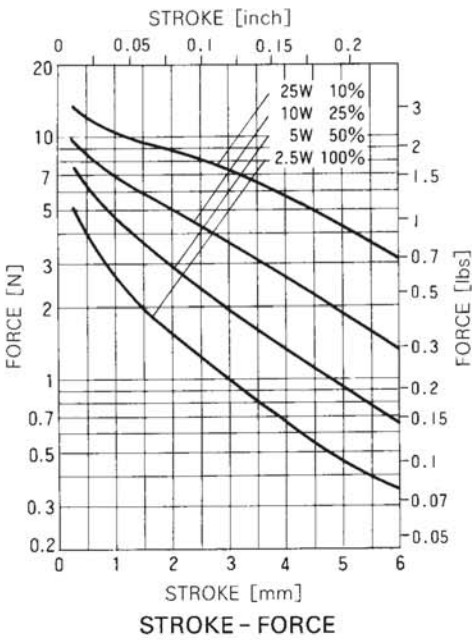
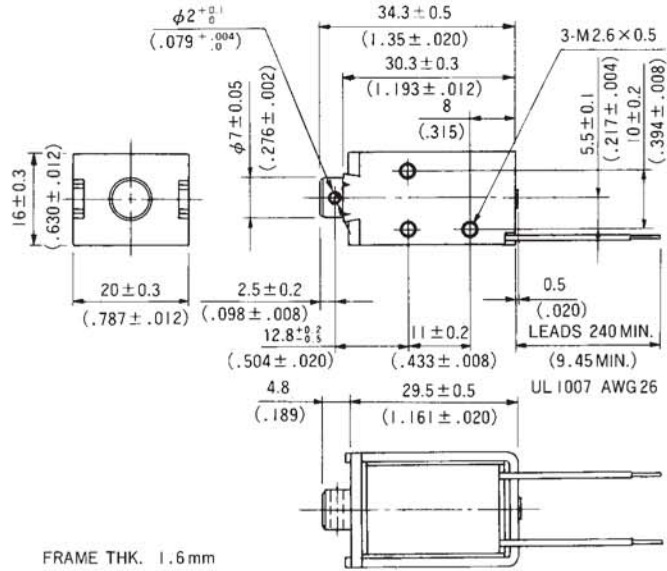
SK0730A OPEN FRAME SOLENOID

UNIT: $\frac{\text{mm}}{\text{inch}}$

SHOWN ENERGIZED



WEIGHT : 48g
PLUNGER : 8g



COIL DATA

without heat sink

	duty cycle = $\frac{\text{"on" time}}{\text{"on" time} + \text{"off" time}} \times 100\%$		100% continuous	50% or less	25% or less	10% or less
	MAX. "on" time in seconds		∞	100	36	7
	watts at 20°C		2.5	5.0	10.0	25.0
	ampere-turns at 20°C		389	550	778	1230
type no.	resistance $\Omega \pm 10\%$ (at 20°C)	no. turns	volts DC			
SK0730A06AA	14	990	6	8.5	12	19
SK0730A12AA	58	1925	12	17	24	38
SK0730A24AA	230	3730	24	34	48	76
SK0730A48AA	922	7300	48	68	96	152

Exclusive US Dist - Bicon Electronics - 1-800-624-2766