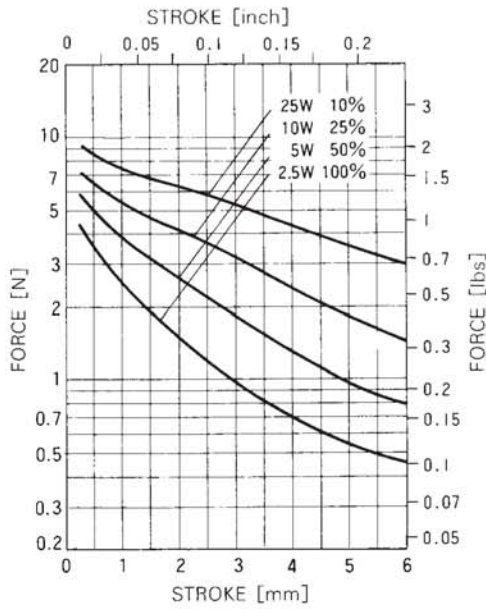
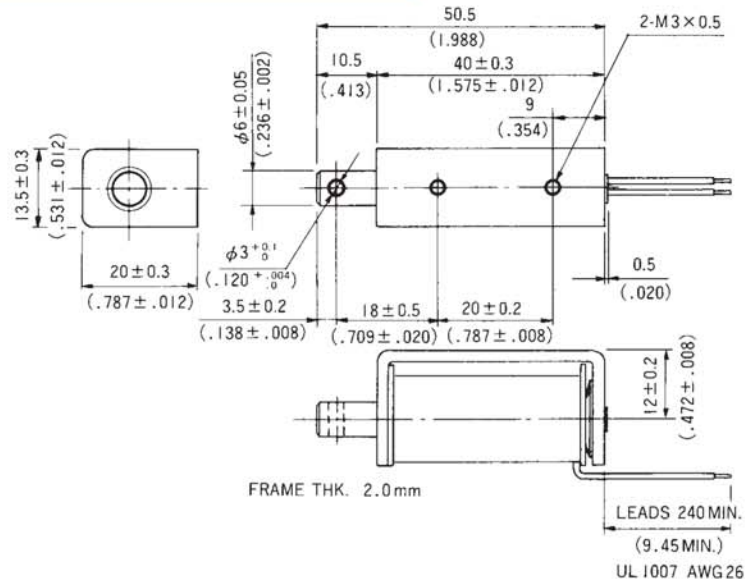


SK0640C OPEN FRAME SOLENOID

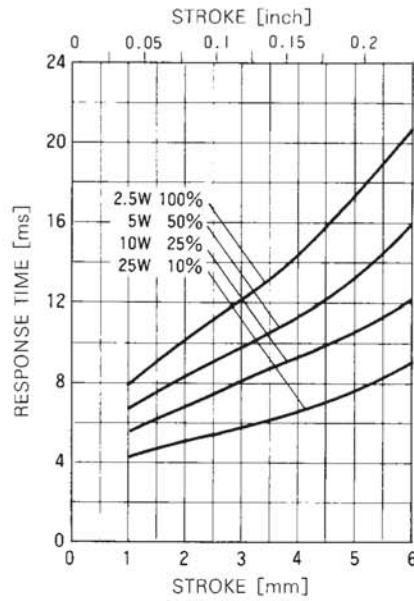
UNIT: $\frac{\text{mm}}{\text{inch}}$
SHOWN ENERGIZED



WEIGHT : 48g
PLUNGER : 9g



STROKE - FORCE



STROKE - RESPONSE TIME

COIL DATA

without heat sink

type no.	duty cycle = $\frac{\text{"on" time}}{\text{"on" time} + \text{"off" time}} \times 100\%$		100% continuous	50% or less	25% or less	10% or less
	MAX. "on" time in seconds		∞	100	36	7
	watts at 20°C		2.5	5.0	10.0	25.0
	ampere-turns at 20°C		504	712	1008	1593
type no.	resistance $\Omega \pm 10\%$ (at 20°C)	no. turns	volts DC			
SK0640C06AA	14	1185	6	8.5	12	19
SK0640C12AA	58	2480	12	17	24	38
SK0640C24AA	230	4830	24	34	48	76
SK0640C48AA	922	9460	48	68	96	152

Exclusive US Dist - Bicon Electronics - 1-800-624-2766